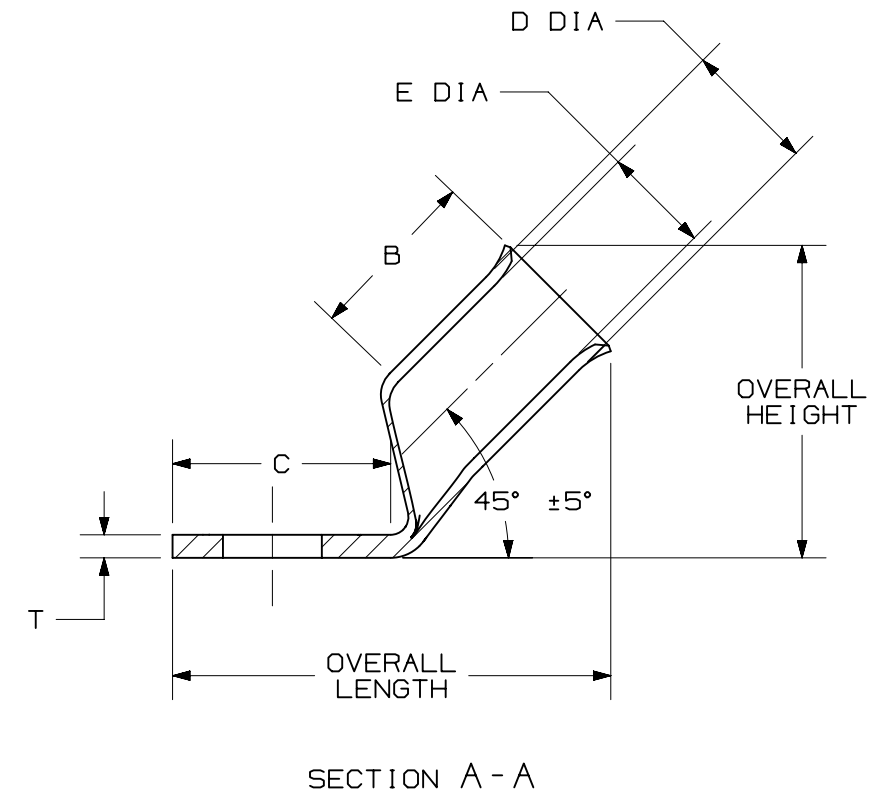
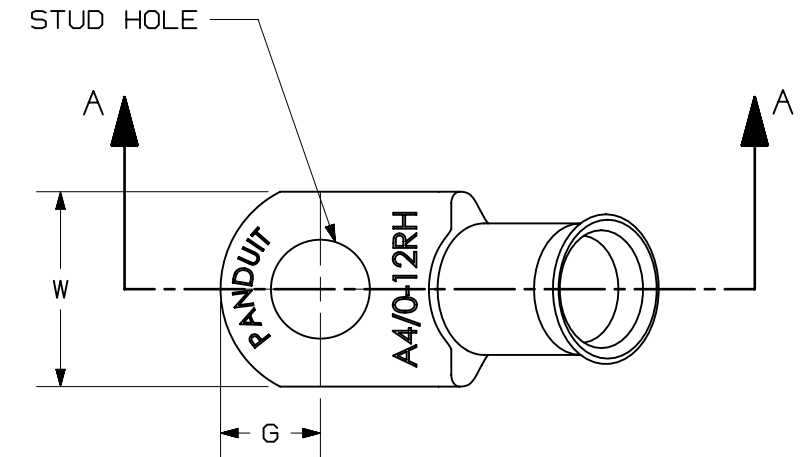


PART NUMBER	WIRE	WIRE STRIP LENGTH	STUD HOLE	OVERALL LENGTH REF	OVERALL HEIGHT REF	B ±.08	D ±.01	E ±.01	G ±.1	C ±.1	T ±.03	W ±.03
A6-14RH-C	6	9/16"	1/4	1.33	0.79	0.50	0.31	0.23	0.32	0.76	0.07	0.54
A2-14RH-C	2	3/4"	1/4	1.71	1.20	0.74	0.42	0.31	0.36	0.74	0.10	0.60
A2-56RH-C	2	3/4"	5/16	1.78	1.20	0.74	0.42	0.31	0.36	0.80	0.10	0.66
A2-38RH-C	2	3/4"	3/8	1.80	1.20	0.74	0.42	0.31	0.36	0.83	0.10	0.66
A1/0-38RH-C	1/0	13/16"	3/8	1.93	1.30	0.80	0.52	0.39	0.37	0.84	0.12	0.76
A2/0-56RH-C	2/0	15/16"	5/16	1.89	1.53	0.88	0.58	0.45	0.35	0.80	0.13	0.85
A2/0-38RH-C	2/0	15/16"	3/8	1.99	1.42	0.88	0.58	0.45	0.45	0.90	0.13	0.85
A4/0-38RH-C	4/0	15/16"	3/8	2.39	1.62	0.91	0.69	0.56	0.52	1.14	0.12	1.02
A4/0-12RH-C	4/0	15/16"	1/2	2.39	1.62	0.91	0.69	0.56	0.52	1.14	0.12	1.02

- NOTES:
 1. MATERIAL: HIGH CONDUCTIVITY SEAMLESS COPPER TUBE
 2. PLATING: ELECTRO-TIN
 3. WIRE TYPE: STRANDED COPPER; CLASS K



PART NUMBER		SEE TABLE	
TITLE		BATTERY CABLE LUG BENT 45	
CUSTOMER DRAWING			
ITEM REVISION NAME	00374EBA/01		
DATASET FILE NAME	00374EBA-DC/01B		
MATERIAL		THIRD ANGLE PROJECTION	DRAWING NUMBER
SEE NOTES			00374EBA-DC
DRAWN BY	DATE	CHK	SCALE
RUMO	10-8-18	RGB	NONE
SHEET 1 OF 1		SIZE	
		B	

REV	DATE	BY	CHK	APR	DESCRIPTION	ECN
01B	6-20-23	JHNU	JHNU	MRWA	C. ADDED PACKAGING CODE TO PART NUMBERS	131601
01A	4-27-23	JHNU	JHNU	MRWA	B. ADDED cULus LOGO A. CONVERTED DRAWING TO NX	130501

B-SIZE CUSTOMER